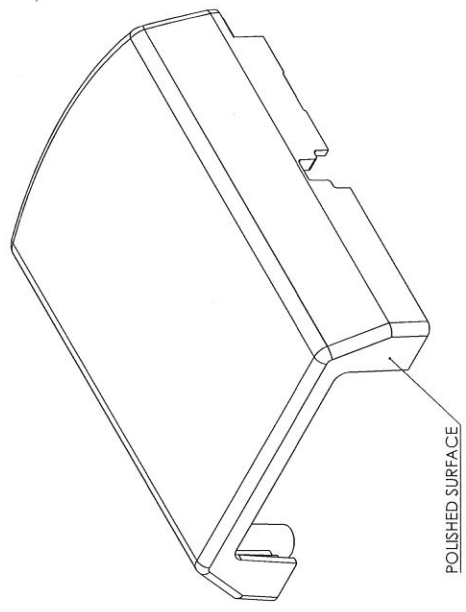
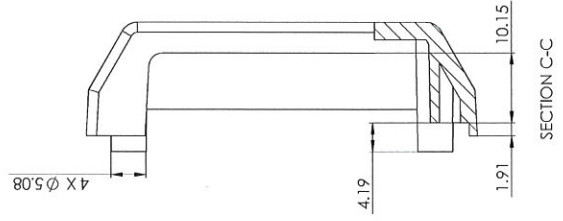
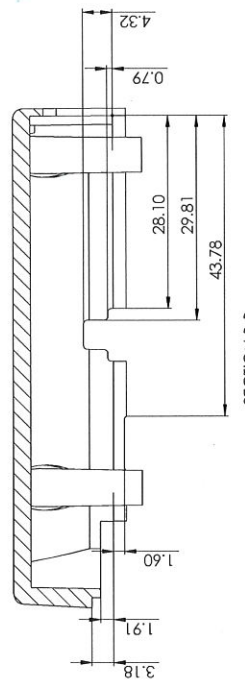
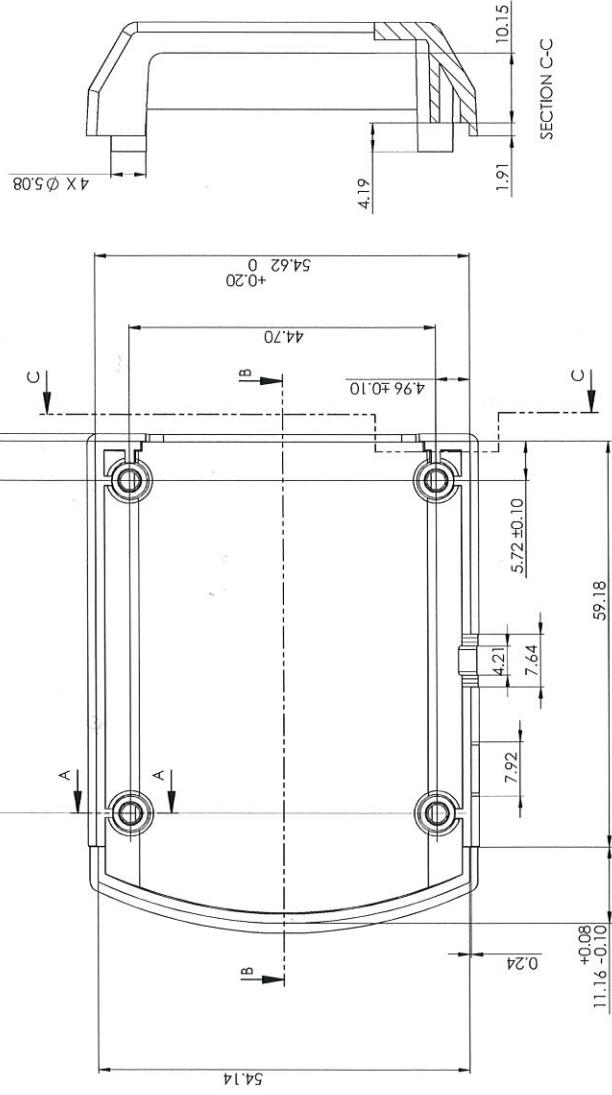
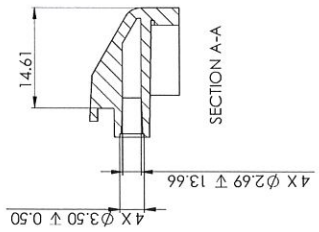


NOTES:

1. ALL DIMENSIONS IN mm. TOLERANCES MUST BE MANUFACTURED IN ACCORDANCE WITH TOLERANCE TABLE BELOW.
2. CRITICAL DIMENSIONS ARE SHOWN ON THIS DRAWING FOR COMPLETE PART DESCRIPTION, SEE 3D CAD FILE.
3. MATERIAL: BLACK ABS
4. TOOL DESIGN INCLUDING GATES, EJECTION PIN LOCATIONS, RUNNERS, COOLING CHANNELS, CAVITY ARRANGEMENTS MUST BE DISCUSSED WITH ENGINEERING DEPARTMENT.
5. MOULDS SHALL BE CONSTRUCTED AND PARTS MOULDED IN SUCH A MANNER AS TO PREVENT OR MINIMIZE FLASH, DISTORTION, SINK MARKS, WELD LINES, RESIDUAL TOOL MARKS AND BLEMISHES.
6. UNLESS OTHERWISE SPECIFIED, DRAFTS TO BE 3° MAXIMUM



NOTE: ALL OTHER EXTERNAL SURFACES WILL HAVE M1-11020 TEXTURE

UNLESS OTHERWISE SPECIFIED DIM ARE IN MILLIMETERS INTERPRET DIM AND TOL PER ASME Y14.5-2009 UNLESS OTHERWISE SPECIFIED THIS DRAWING IS FOR MANUFACTURING THE EXCLUSIVE PROPERTY OF ELECTRONICS. REPRODUCTION OR USE BY OTHERS IS NOT PERMITTED WITHOUT EXPRESS WRITTEN CONSENT OF ELECTRONICS.

THIRD ANGLE PROJECTION

GENERAL TOLERANCES	
LENGTH (mm)	TOLERANCE
UNDER 5	±0.2
5 - 15	±0.3
15 - 40	±0.5
40 - 100	±0.8
100 - 300	±1.2
300 - 500	±1.5
500	±2.0
ANGLE	±1°
RADIUS	±10%